

INSTALLATION INSTRUCTIONS

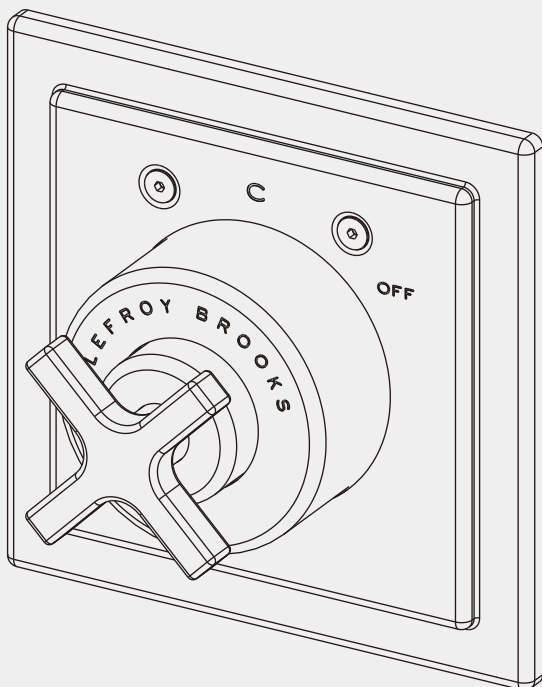
M1-4300

SINGLE CROSS HANDLE PRESSURE BALANCE TRIM ONLY, TO SUIT M1-4100 ROUGH

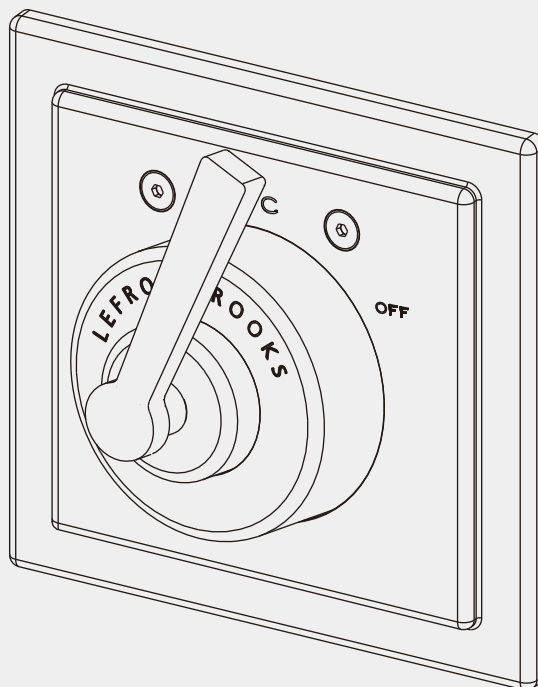
M1-4301

SINGLE LEVER PRESSURE BALANCE TRIM ONLY, TO SUIT M1-4100 ROUGH

M1-4300



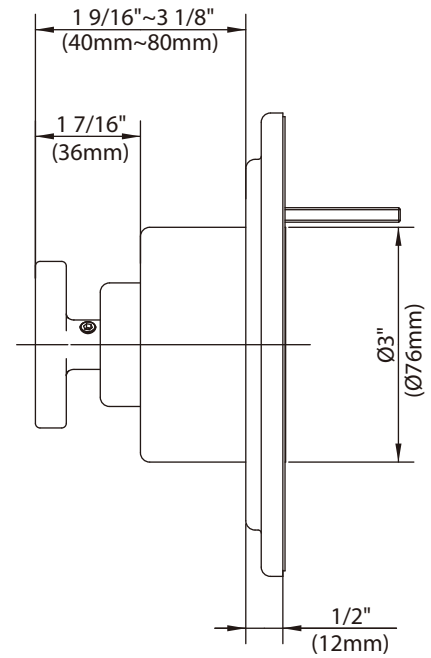
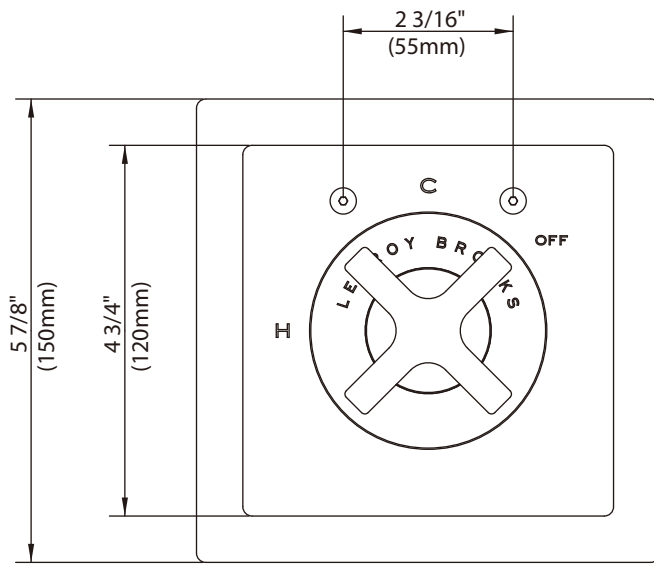
M1-4301



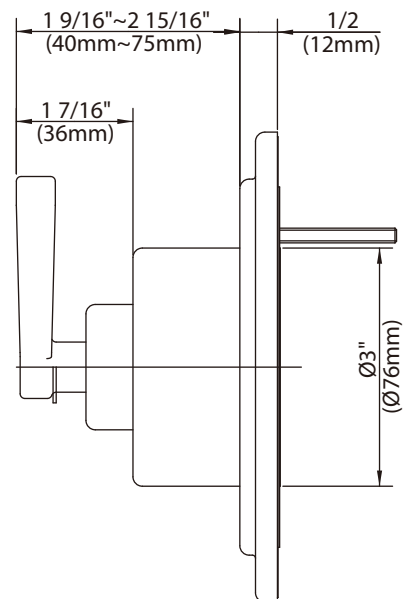
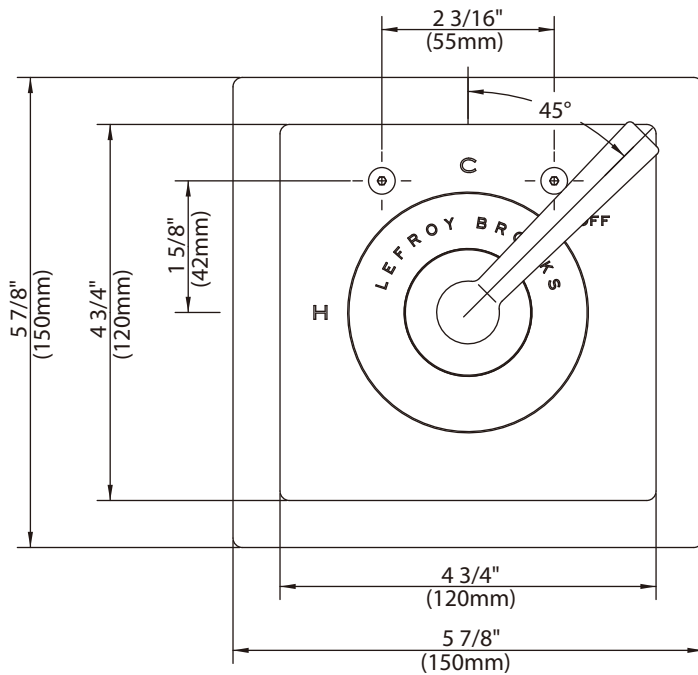
LEFROY BROOKS

Dimensions in Inches (& Millimetres)

M1-4300



M1-4301

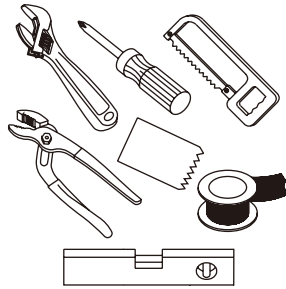


Whilst every effort is made to ensure accuracy, design and dimensions are subject to change without notice as part of the company's product development process.

What you need to know

Tools:

Adjustable Wrench
Groove Joint Pliers
Hacksaw
Phillips Screwdriver
Pipe Tape
Spatula
Spirit Level



Maintenance

Your new bathroom faucet is designed for years of trouble-free performance.

Keep it looking new by cleaning it periodically with a soft cloth. Avoid abrasive cleaners, wire wool and harsh chemicals as these will dull the finish and void your warranty.

Safety Tips

If you are soldering during faucet installation, remove cartridges, seats, gaskets and washers prior to applying flame, otherwise you will void the warranty.

Cover drain openings to avoid losing small parts.

When cutting or soldering pipe, use safety glasses to protect your eyes.

Important Points

Prior to beginning installation, turn off the cold and hot water lines and open the old faucet to release built-up pressure.

Overtightening nuts may cause damage.

Wrap all threaded connections with pipe tape available at your local plumbing supply store. Always wrap in a clockwise direction. The fittings should be installed by a state-licensed plumber.

Please note:

When there is a difference in water pressure between hot and cold supplies to the mixing valve, the pressures should be equalized by a plumber in accordance with best practice and legislation.

Things You May Need

Correct installation may vary depending on previous faucet installation. All necessary supplies required for faucet installation are not included, but may be found where plumbing supplies are sold. It is suggested that IAPMO and/or CSA approved plumbing supplies are used during installation.

Standards

IAPMO/cUPC Listed
Meets A112.18.1
ADA Compliant (Only M1- 4301)

Please note :

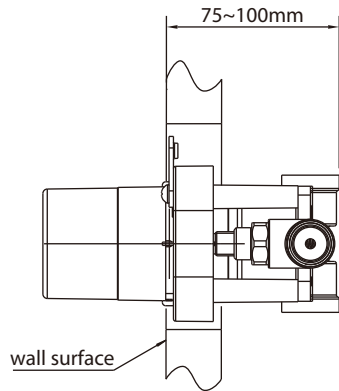
Final achievable flow rate is dependent on the outlets fitted, see relevant outlets (spouts, roses, sprays) for fully assembled product flow rate.

Steps 1-4

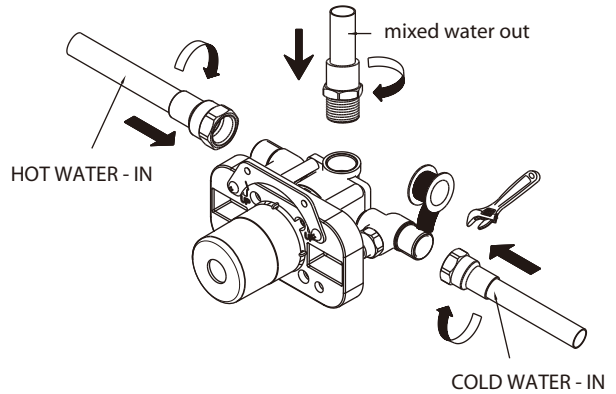
Installation Procedure

Lefroy Brooks always recommends that plumbing products be installed by a licensed professional. Shut off main water supply before installation.

For rectangular trim plates: M1-4300, M1-4301, X1-1998, X1-1999

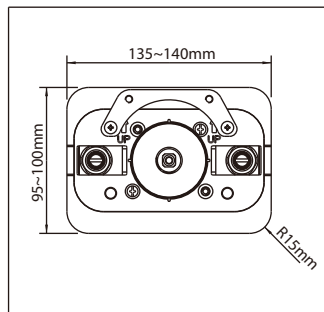


1

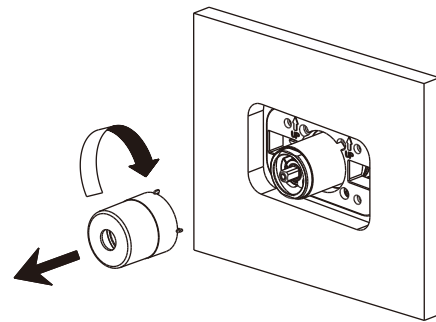


2

For rectangular trim plates: M1-4300, M1-4301, X1-1998, X1-1999



3



4

1 Position valve into the wall as shown.

2 Connect the valve to the water pipes.

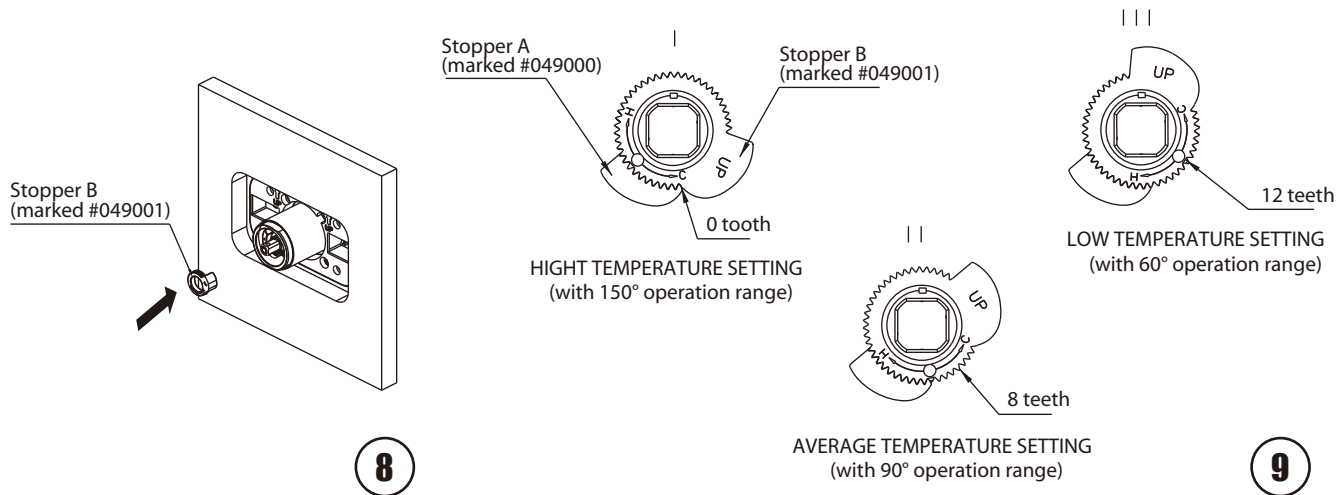
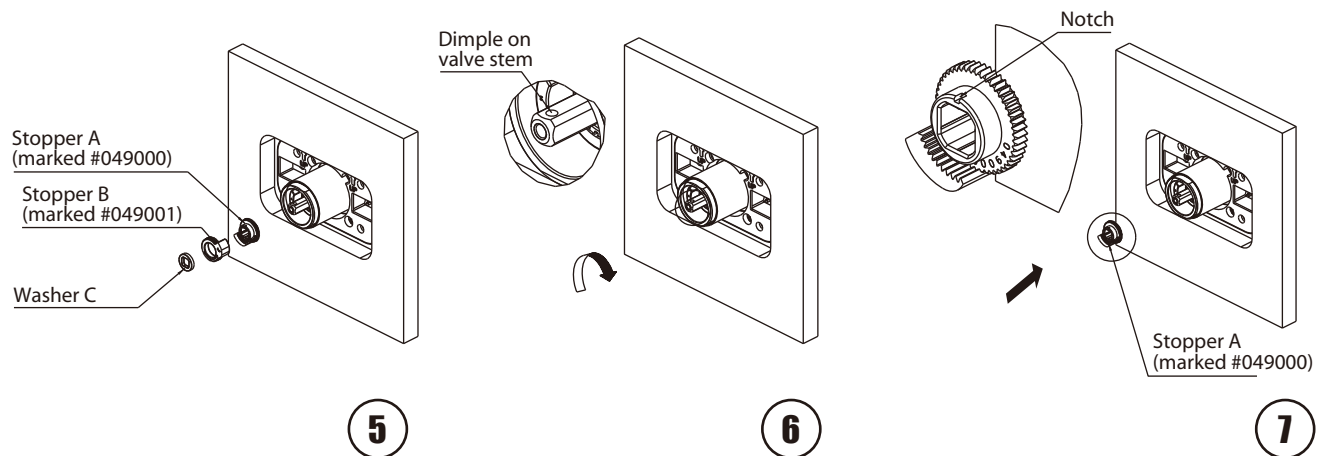
3 Cut a hole on the wall surface for fitting the trim kit. The hole dimension is as shown in figure 3.

4 Throw away the protective cap only when the building construction is completed and you are ready to fit the trim kit.
REMOVE CAP ONLY, KEEP THE REST OF THE MUD GUARD AS IT IS NEEDED TO HOLD THE TRIM FIXING SCREWS.

Steps 5-9

Installation Procedure

Lefroy Brooks always recommends that plumbing products be installed by a licensed professional. Shut off main water supply before installation.



5 Temperature Limiting Device: Remove washer C, then take off stopper A & B.

6 Turn the valve stem so that the round dimple on the stem is facing upwards.

7 Install stopper A onto valve stem. Notch on stopper A should point upward.

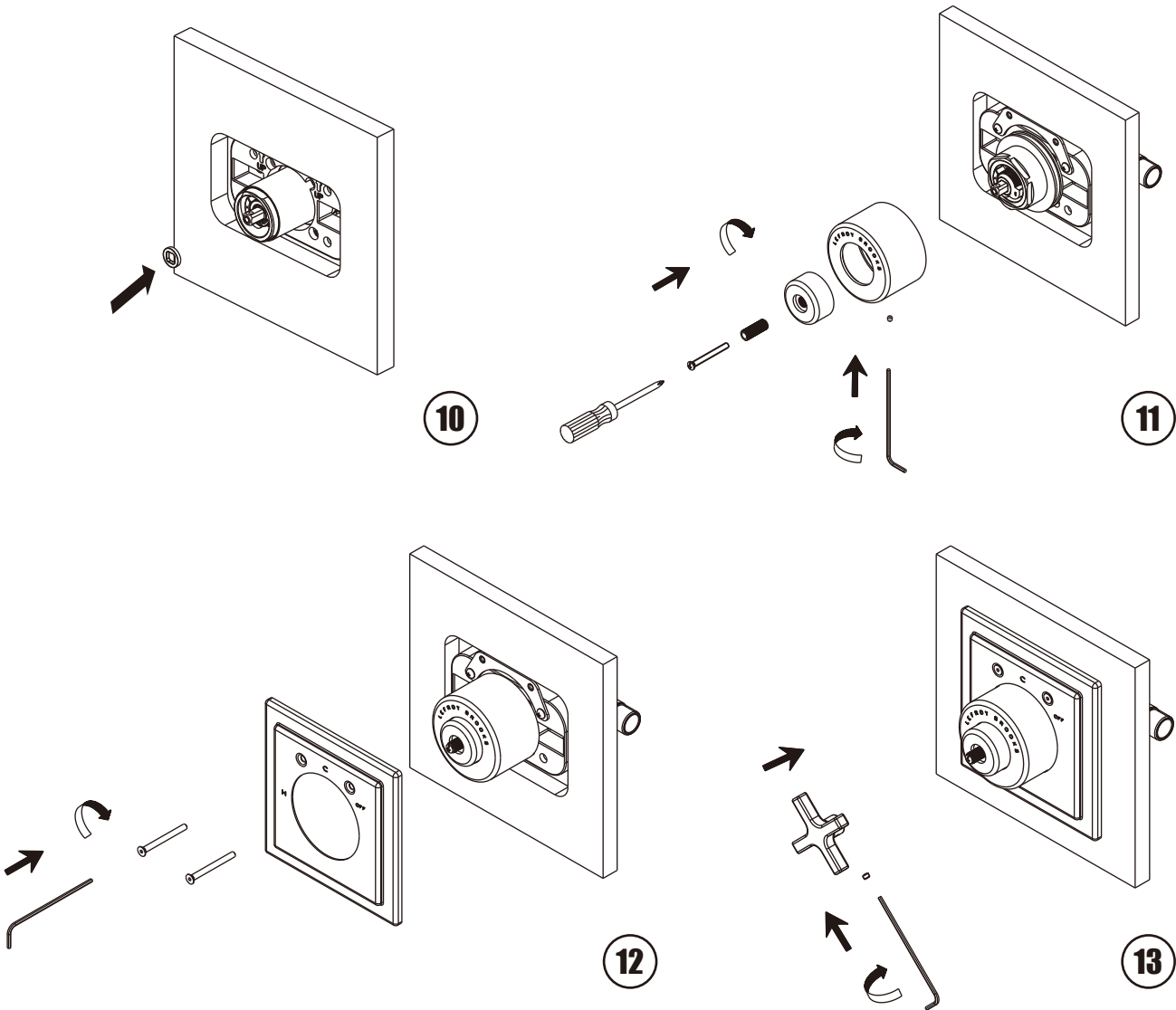
8 Install stopper B. The word "up" should face out.

9 Figures I, II, III show how to adjust the temperature limit stop. Having this open at eight notches is recommended.

Steps 10-13

Installation Procedure

Lefroy Brooks always recommends that plumbing products be installed by a licensed professional. Shut off main water supply before installation.



10 Install washer.

11 Install canopy.

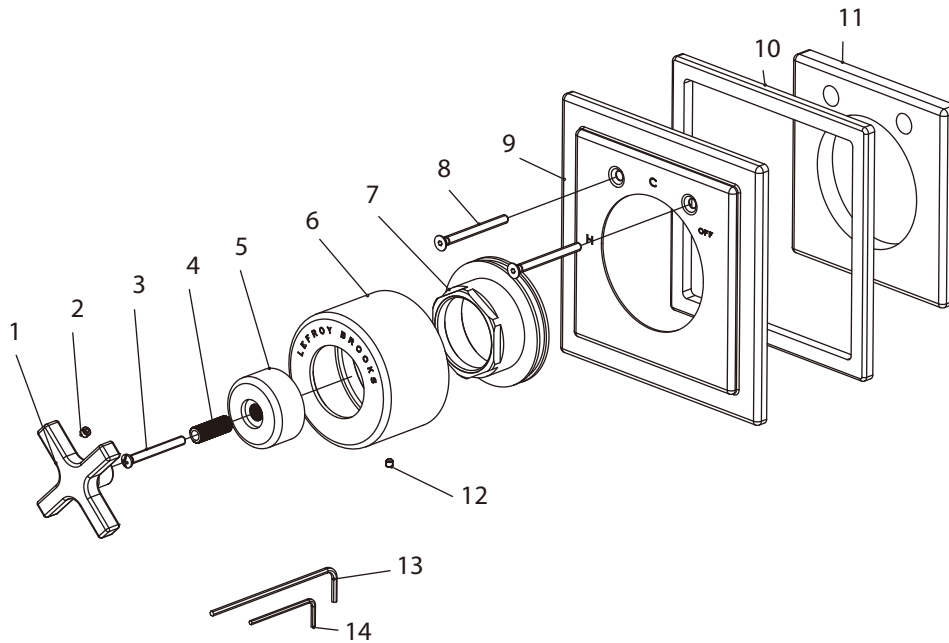
12 Fix front plate.

13 Install handle.

Exploded View

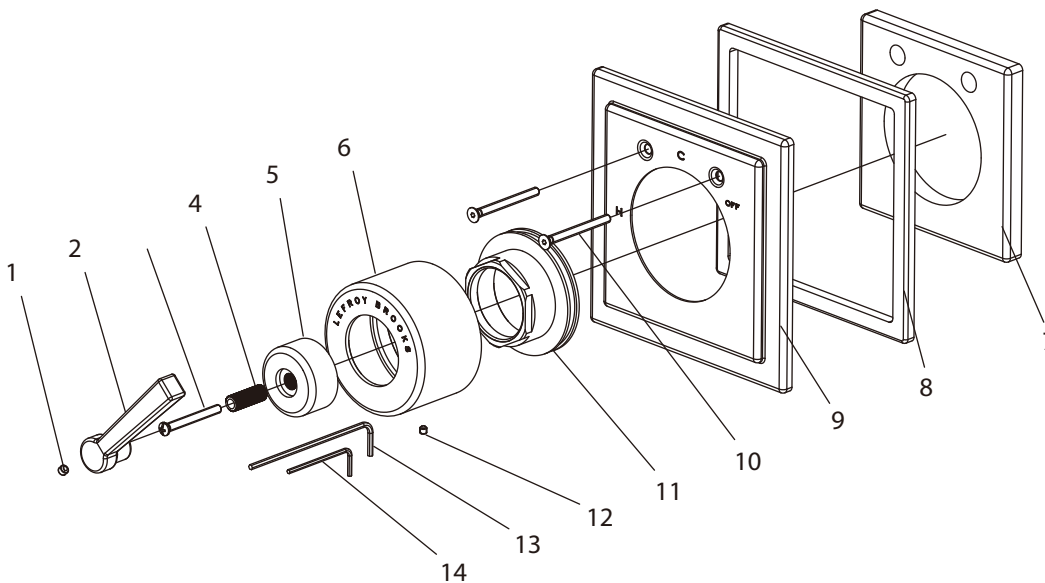
Parts List

M1-4300



- 1 Handle (029685)
- 2 Set screw (292598)
- 3 Screw (008115)
- 4 Stem extension (110389)
- 5 Canopy (018961)
- 6 Canopy (018959-50)
- 7 Adjusting ring (104292)
- 8 Seal (008186)
- 9 Front plate (006583-50)
- 10 Seal (010941)
- 11 Seal (013815)
- 12 Set screw (065086)
- 13 Allen key (031220)
- 14 Allen key (031003)

M1-4301



- 1 Set screw (292598)
- 2 Handle (029686)
- 3 Screw (008115)
- 4 Stem extension (110389)
- 5 Canopy (018961)
- 6 Canopy (018959-50)
- 7 Seal (013815)
- 8 Seal (010941)
- 9 Front plate (006583-50)
- 10 Screw (008186)
- 11 Adjusting ring (104292)
- 12 Set screw (065086)
- 13 Allen key (031220)
- 14 Allen key (031003)

For additional assistance or service call

718-302-5292

9am to 5pm EST Monday to Friday



LEFROY BROOKS

www.lefroybrooks.com

LEFROY BROOKS INC, 1828 TROUTMAN STREET, RIDGEWOOD, NY, 11385
TELEPHONE: 718-302-5292. FAX: 718-302-4177

The use of trademarks, product design and artwork is subject to licence or agreement with LBIP Ltd. The design registrations, trademark registrations and copyrights are protected by law and the use or reproduction outside the terms of an agreement is prohibited. The right to modify designs and dimensions is reserved. Christo Lefroy Brooks is a member of ACID (Anti Copying in Design).

© LBIP LTD 2012